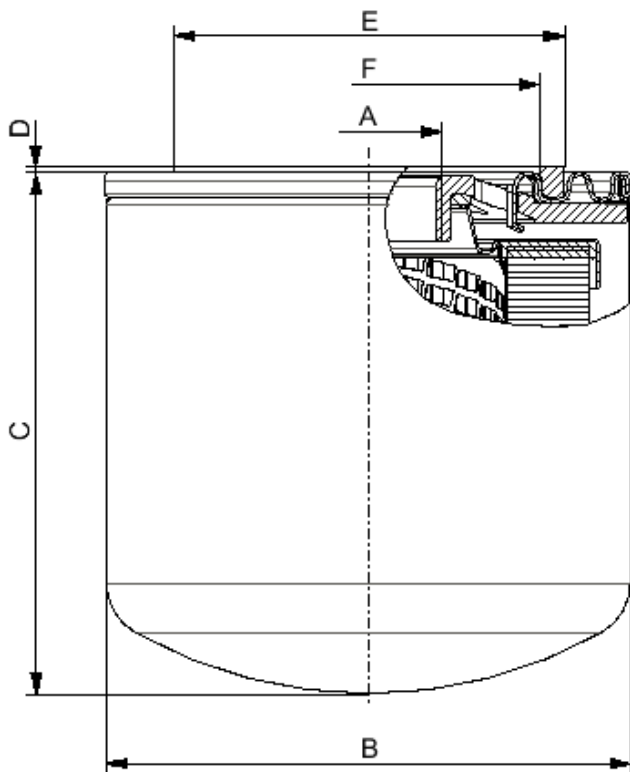


General data

Media	Impregnated paper
Filtration rating	25 µm β(25) > 2
Flow direction	Out-In
By-pass valve	
Flow rate	65 l/min
Working pressure	12 bar [174 psi]
Filter element collapse pressure	5 bar [73 psi]
Burst pressure	21 bar [305 psi]
Anti-drain back valve	-
Gasket	NBR



Technical data

A	1"-12 UNF
B	95,5 mm [3,76 inch]
C	210 mm [8,27 inch]
D	1 mm [0,04 inch]
E	71 mm [2,8 inch]
F	62 mm [2,44 inch]